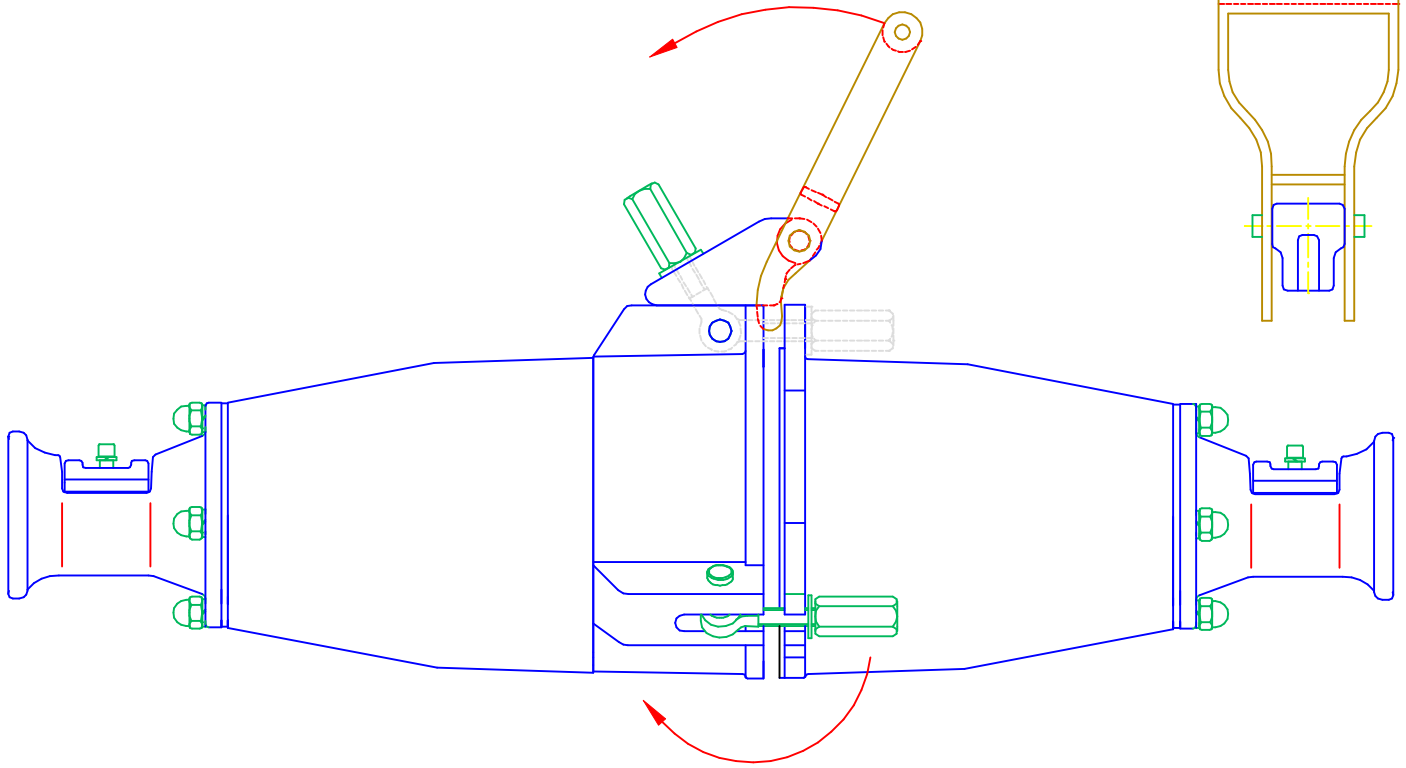


8kV UNIT ELECTRICAL ENGINEERING COUPLING SYSTEM

Part# HW61



11/15/25kV UEE and 8/15kV PATTON & COOKE COUPLING SYSTEMS

Part# HW62

